

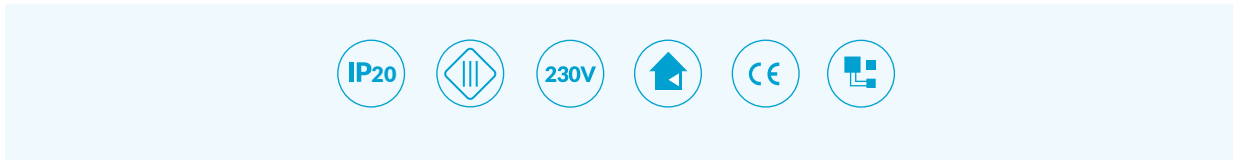


# BRILLO LED 1.0



## Advantages

- High luminous efficacy up to 160lm/W
- Glare reduction thanks to the applied diffuser
- Quick and easy installation
- Multiple mounting options



### Brillo LED 1.0 1

BRL1ST.10.018.8A3000	18	2600	3000K	>80	IP20	65°x65°, 75°x75°	3,5kg
BRL1ST.10.018.8A4000	18	2800	4000K	>80	IP20	65°x65°, 75°x75°	3,5kg

### Brillo LED 1.0 2

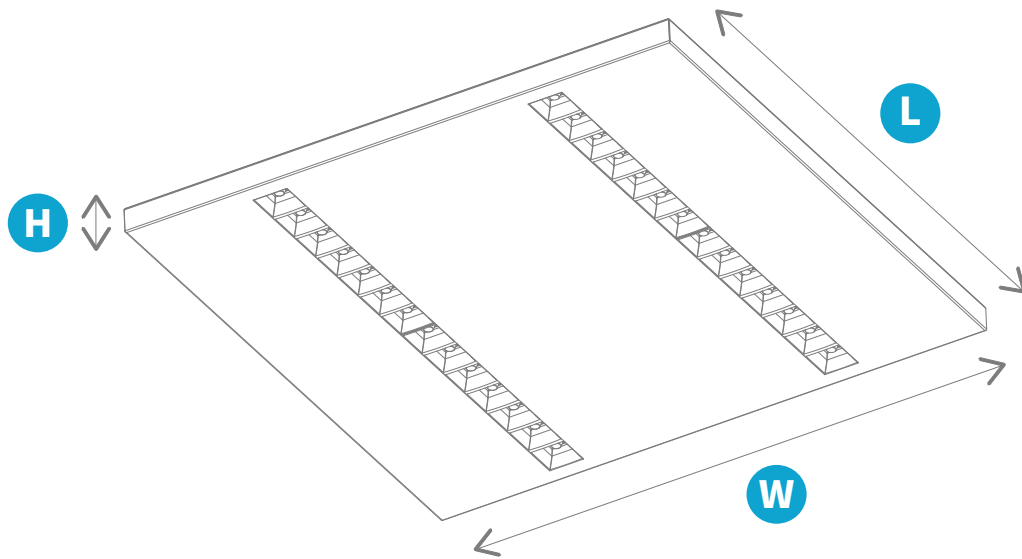
BRL1ST.20.024.8A3000	24	3550	3000K	>80	IP20	65°x65°, 75°x75°	3,5kg
BRL1ST.20.024.8A4000	24	3800	4000K	>80	IP20	65°x65°, 75°x75°	3,5kg

### Brillo LED 1.0 3





BRL1ST.30.030.8A3000	30	4500	3000K	>80	IP20	65°x65°, 75°x75°	3,5kg
BRL1ST.30.030.8A4000	30	4800	4000K	>80	IP20	65°x65°, 75°x75°	3,5kg

In order to know exact the light parameters for selected beam angle, please use photometric files for the given beam angle. Download link: [luxon.pl/Pliki/LDT-LUXON-LED-2020.zip](http://luxon.pl/Pliki/LDT-LUXON-LED-2020.zip)

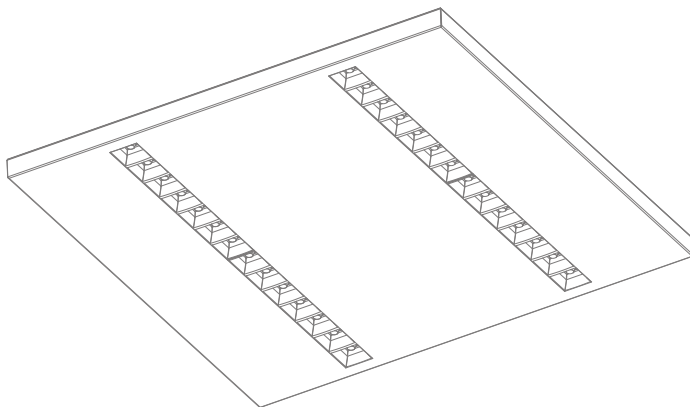
# Dimensions and Logistics



	H	L	W
BRL1ST	25	595	595

			
BRL1ST	1	32	120x80

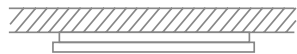
## Montage



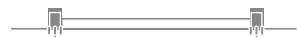
**Recessed mounting**



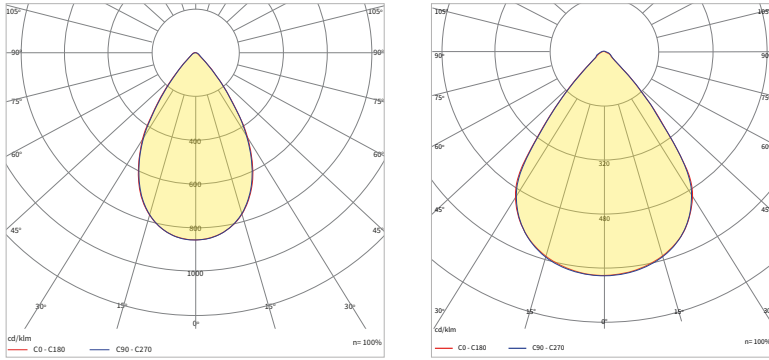
**Surface mounting**



**Plaster board**



# Luminous Intensity Distribution



# Available Configurations

Family	Power version	Version	Power [W]	CRI	Diode type	CCT [K]	Lens material	Diffuser material	Beam angle	Type of control	Operating temperature[°C]	Warranty	Modifications							
BRL1ST Brillo LED 1.0	1	0 Standard	018	8 >80	A Mid Power	3000	1 PMMA	R23 Raster PC matt	065065	00 ON/OFF	0040	05Y 5 years	0000 Standard							
	1		18W			4000			075075											
	2		24W			4000K			75°x75°											
	2	24W																		
	3	30W																		
	3	30W																		

Example product code:

[BRL1ST.10.018.8A3000.1R23.065065.00.0040.05Y.0000](#)