



INDUSTRIAL LED MN 6.0

Advantages



- High luminous efficacy up to 180Lm/W
- High IP66 rating
- Quick and easy installation
- Branded components
- Up to 10 years warranty
- Wide operating temperature range



Industrial LED MN 6.0 1

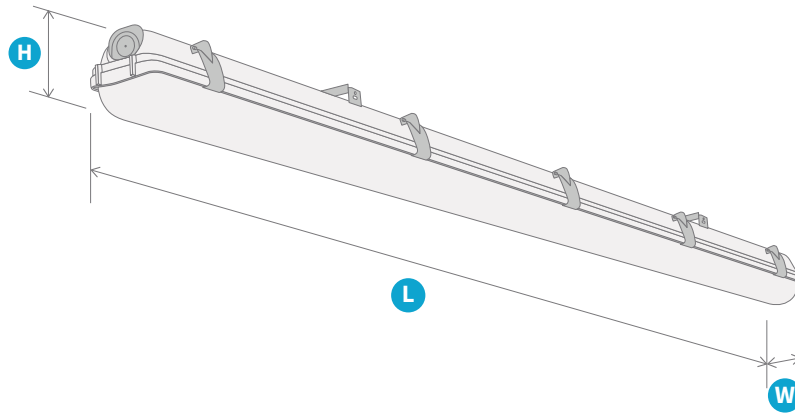
IND6MN.10.014.8A3000	14	2050	3000K	>80	IP 66	135°X90°	1,2kg
IND6MN.10.014.8A4000	14	2150	4000K	>80	IP 66	135°X90°	1,2kg
IND6MN.10.014.8A5000	14	2200	5000K	>80	IP 66	135°X90°	1,2kg


Industrial LED MN 6.0 2

IND6MN.20.024.8A3000	24	3700	3000K	>80	IP 66	135°X90°	1,2kg
IND6MN.20.024.8A4000	24	3850	4000K	>80	IP 66	135°X90°	1,2kg
IND6MN.20.024.8A5000	24	3900	5000K	>80	IP 66	135°X90°	1,2kg

In order to know exact the light parameters for selected beam angle, please use photometric files for the given beam angle. Download link: luxon.pl/Pliki/LDT-LUXON-LED-2020.zip

Dimensions and Logistics

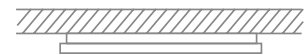


	H	L	W
IND6MN.1	104	660	97
IND6MN.2	104	660	97

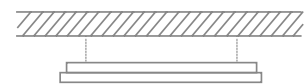
Montage



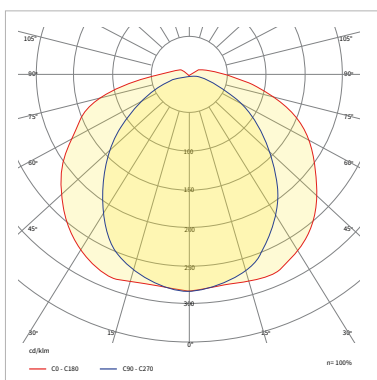
Surface mounting



Suspended



Luminous Intensity Distribution



Available Configurations

Family	Power version	Version	Power [W]	CRI	Diode type	CCT [K]	Lens material	Diffuser material	Beam angle	Type of control	Operating temperature [°C]	Warranty	Modifications
IND6MN Industrial LED MN 6.0	1	0 Standard	014 14W	8 >80	A Mid Power	3000 3000K	0 No lens	P23 PC matt	135090 ** 135°x90°	00 ON/OFF	25÷45	05Y 5 years	0000 Standard
	2		024 24W			4000 4000K				D0 DALI			E001 Through-wired
	2					5000 5000K							E004 Through-wired; Quick connector
													E010 Quick connector

Example product code

IND6MN.10.014.8A3000.0P23.135090.00.2545.05Y.E001