

LUMILINE LED OP 3.0

Przewagi

- Solidna obudowa wykonana z aluminium
- Markowe komponenty
- Szybki i prosty montaż



Lumiline LED OP 3.0 2

| | P | lm | K | Ra | IP | | |
|----------------------|----|------|-------|-----|------|-------------------|-----|
| LML3OP.20.032.8A3000 | 32 | 4600 | 3000K | >80 | IP20 | 60°X110° 85°X110° | 2kg |
| LML3OP.20.032.8A4000 | 32 | 4850 | 4000K | >80 | IP20 | 60°X110° 85°X110° | 2kg |

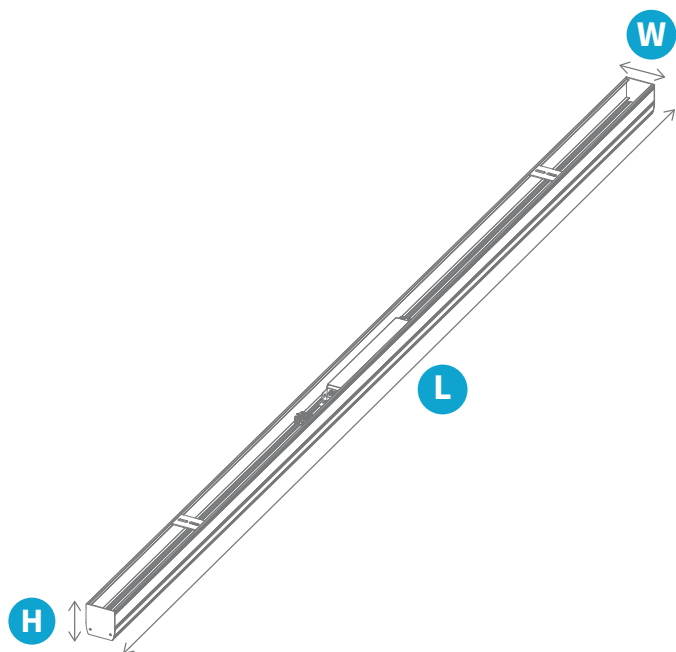
Lumiline LED OP 3.0 3


| | P | lm | K | Ra | IP | | |
|----------------------|----|------|-------|-----|------|-------------------|-------|
| LML3OP.30.048.8A3000 | 48 | 6900 | 3000K | >80 | IP20 | 60°X110° 85°X110° | 2,7kg |
| LML3OP.30.048.8A4000 | 48 | 7250 | 4000K | >80 | IP20 | 60°X110° 85°X110° | 2,7kg |

Lumiline LED OP 3.0 4

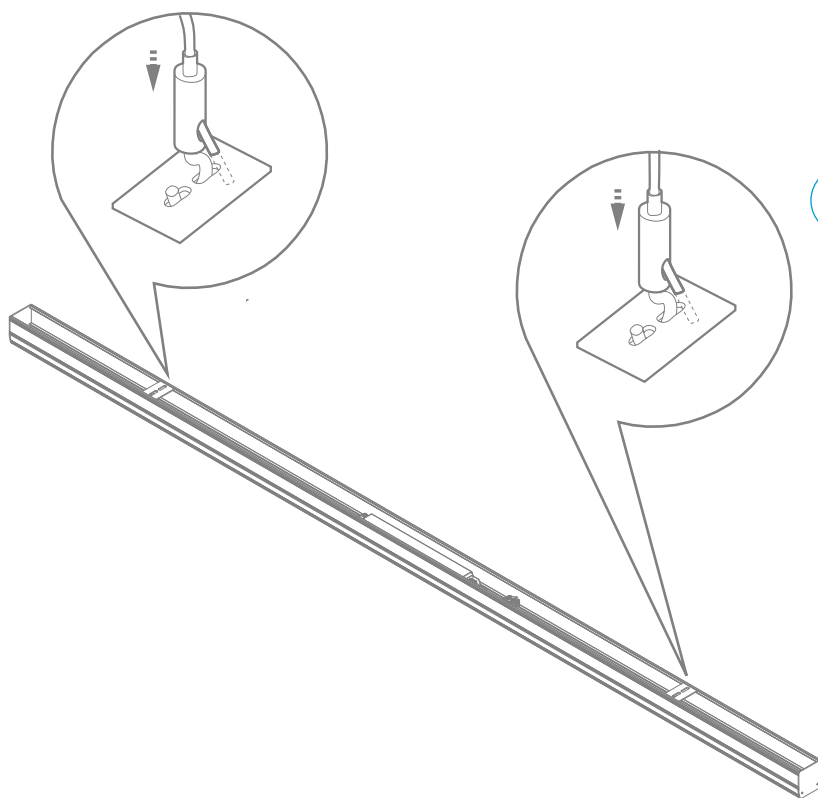
| | P | lm | K | Ra | IP | | |
|----------------------|----|-------|-------|-----|------|-------------------|-------|
| LML3OP.40.079.8A3000 | 79 | 11450 | 3000K | >80 | IP20 | 60°X110° 85°X110° | 4,1kg |
| LML3OP.40.079.8A4000 | 79 | 12050 | 4000K | >80 | IP20 | 60°X110° 85°X110° | 4,1kg |

Wymiarowanie i Logistyka

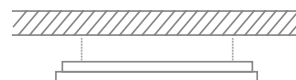


|  | H | L | W |
|---|----|------|----|
| LML3OP.2 | 52 | 1225 | 50 |
| LML3OP.3 | 52 | 1799 | 50 |
| LML3OP.4 | 52 | 2945 | 50 |

Montaż



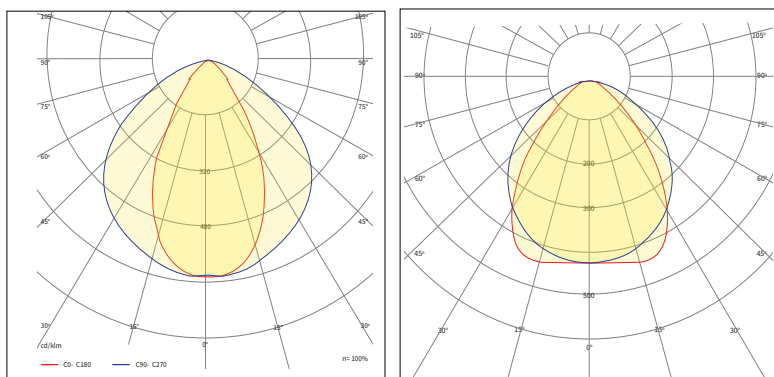
Montaż zwieszany



Montaż natynkowy



Rozsył Światłości



| Rodzina | Wersja mocowa | Wersja | Moc [W] | CRI | Typ diody | CCT [K] | Materiał soczewki | Materiał dyfuzora | Rozsył | Sterowanie | Temperatury pracy [°C] | Gwarancja | Modyfikacje |
|----------------------------------|---------------|----------|---------|-----|-----------|---------|-------------------|-------------------|----------|------------|------------------------|-----------|---------------------------------|
| LML3OP Lumiline LED OP 3.0 | 2 | 0 | 032 | 8 | A | 3000 | 1 | 000 | 060110 | 00 | 2040 | 05Y | 0000 |
| | 2 | Standard | 32W | >80 | Mid Power | 3000K | PMMA | Nie występuje | 60°x110° | ON/OFF | -20+40 | 5 lat | Standard |
| | 3 | | 048 | | | 4000 | | | 085110 | D0 | | | G001 |
| | 3 | | 48W | | | 4000K | | | 85°x110° | DALI | | | Szary, RAL7038; lewa |
| | 4 | | 079 | | | | | | | | | | GL00 |
| | 4 | | 79W | | | | | | | | | | Szary, RAL7038; lewa |
| | | | | | | | | | | | | | GM00 |
| | | | | | | | | | | | | | Szary, RAL7038; środkowa |
| | | | | | | | | | | | | | GR00 |
| | | | | | | | | | | | | | Szary, RAL7038; prawa |
| | | | | | | | | | | | | | BL00 |
| | | | | | | | | | | | | | Czarny, RAL9005; lewa |
| | | | | | | | | | | | | | BM00 |
| | | | | | | | | | | | | | Czarny, RAL9005; środkowa |
| | | | | | | | | | | | | | BR00 |
| | | | | | | | | | | | | | Czarny RAL9005; prawa |

Beispiel-Produktcode:

LML3OP.20.032.8A3000.1000.060110.00.2040.05Y.BM00

Schemat typu łączenia oprawy

