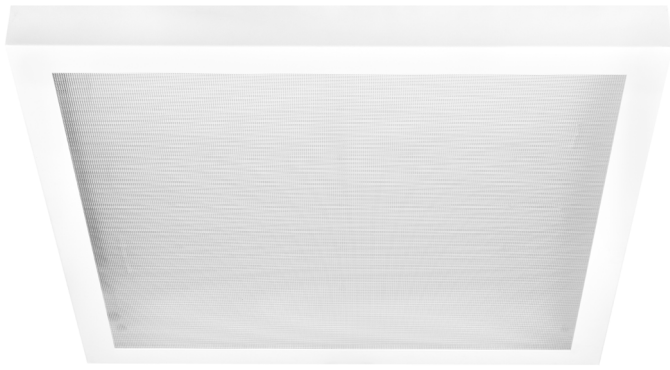




SMART CLEAN LED 3.0



Advantages

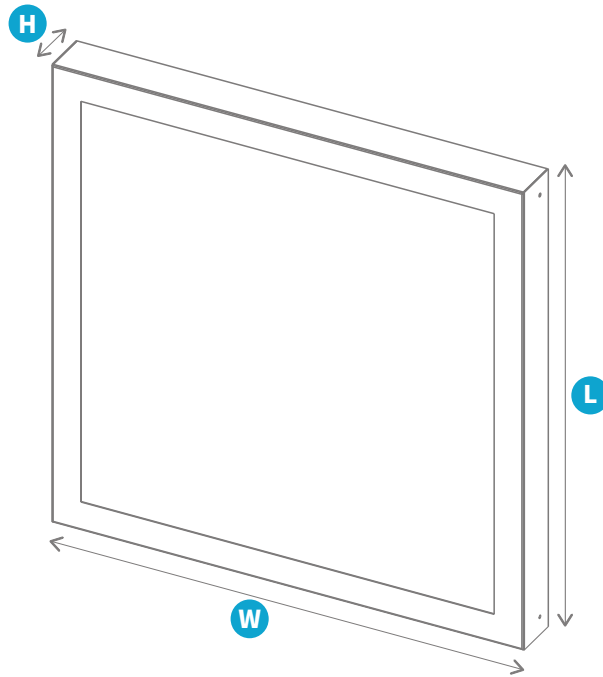
- Branded components
- Two types of mounting: recessed mounting or surface mounting
- A wide range of glass diffusers: transparent, frosted, microprismatic
- Protection class IP65



Smart Clean:LED 3.0 I

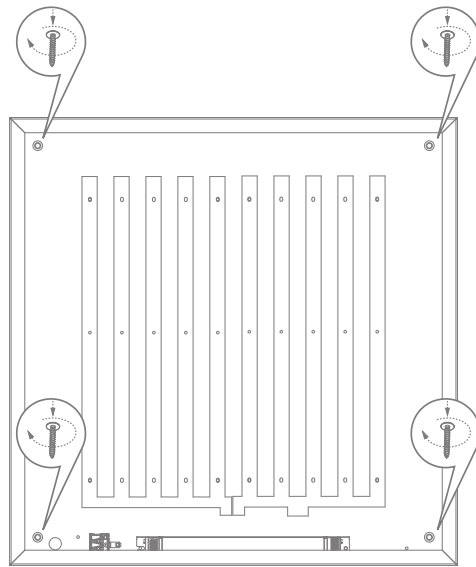
SMR3ST.10.037.8A3000	37	5000 - 5450	3000K	>80	IP65	110°X110°, 90°X90°, 100°X100°	9,5kg
SMR3ST.10.037.8A4000	37	5200 - 5700	4000K	>80	IP65	110°X110°, 90°X90°, 100°X100°	9,5kg
SMR3ST.10.037.8A5000	37	5250 - 5750	5000K	>80	IP66=5	110°X110°, 90°X90°, 100°X100°	9,5kg

Dimensions and Logistics

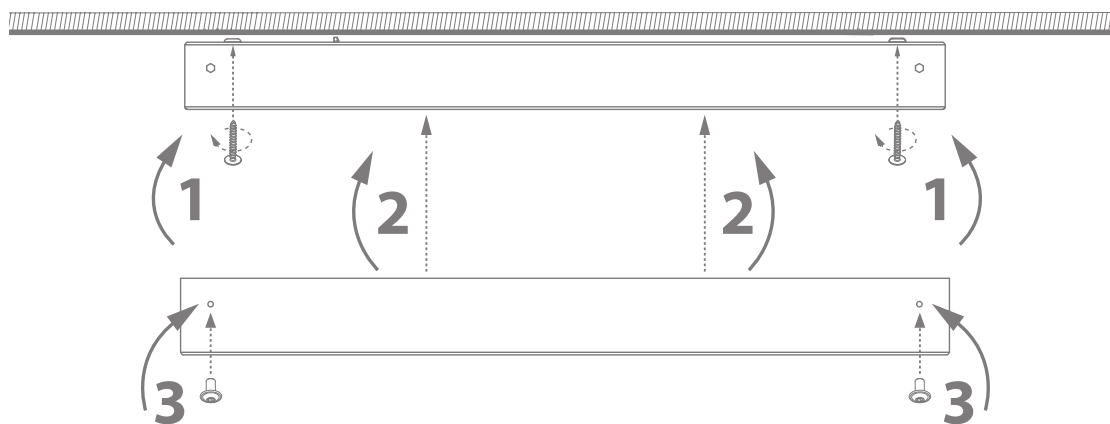
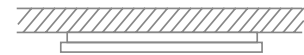


	H	W	L				
SMR3ST	60	595	595	SMR3ST	6	24	120x80

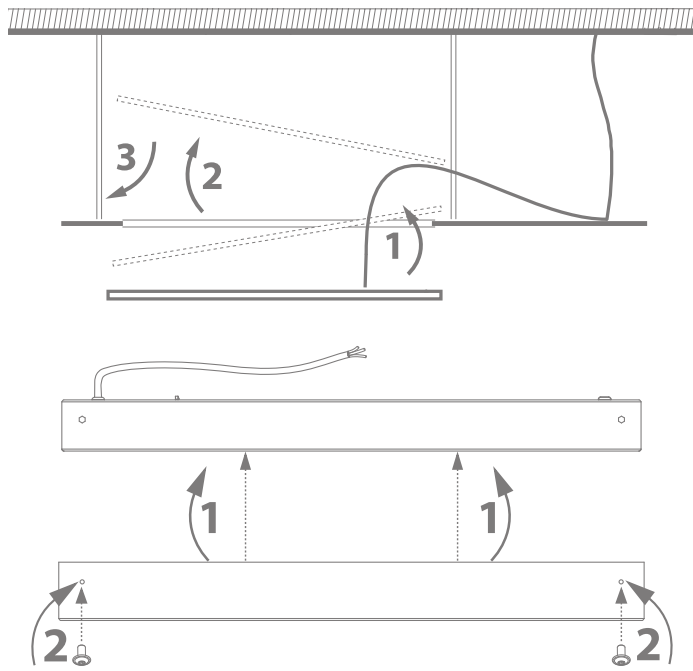
Montage



surface mounting



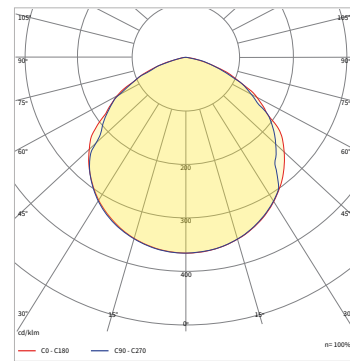
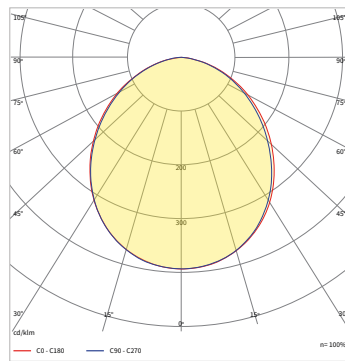
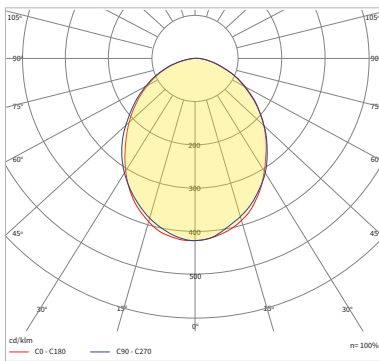
Montage



Recessed mounting



Luminous Intensity Distribution



Available Configurations

Family	Power version	Version	Power [W]	CRI	Diode type	CCT [K]	Lens material	Diffuser material	Beam angle	Type of control	Operating temperature[°C]	Warranty	Modifications
SMR3ST Smart Clean LED 3.0	1	0	037	8	A	3000	0	G11	090090	00	2540	05Y	0000
	1	Standard	37W	>80	Mid Power	3000K	No lens	Tempered glass transparent	90°x90°	ON/OFF	-20 °C + 40 °C	5 years	Standard
						4000 4000K		G12	100°x100°	D0			
						5000 5000K		Tempered glass frost	110°x110°	DALI			
								G14	110°x110°				
								Tempered glass microprismatic					

Sample product code:

[SMR3ST.10.037.8A3000.0G11.110110.00.2040.05Y.0000](#)