

ULTIMA LED 3.0 HT

Advantages

- Protection class at the level of IP65
- Solid aluminum housing
- High operating temperature range
- Branded components



Ultima LED 3.0 1

ULT3HT.10.042.8A4000	42	6450	4000K	>80	IP65	60°X60° 90°X90°	4,6kg
ULT3HT.10.042.8A5000	42	6500	5000K	>80	IP65	60°X60° 90°X90°	4,6kg

Ultima LED 3.0 2

ULT3HT.20.053.8A4000	53	8600	4000K	>80	IP65	60°X60° 90°X90°	6,2kg
ULT3HT.20.053.8A5000	53	8650	5000K	>80	IP65	60°X60° 90°X90°	6,2kg

Ultima LED 3.0 3

ULT3HT.30.083.8A4000	83	12700	4000K	>80	IP65	60°X60° 90°X90°	6,2kg
ULT3HT.30.083.8A5000	83	12750	5000K	>80	IP65	60°X60° 90°X90°	6,2kg

Ultima LED 3.0 4

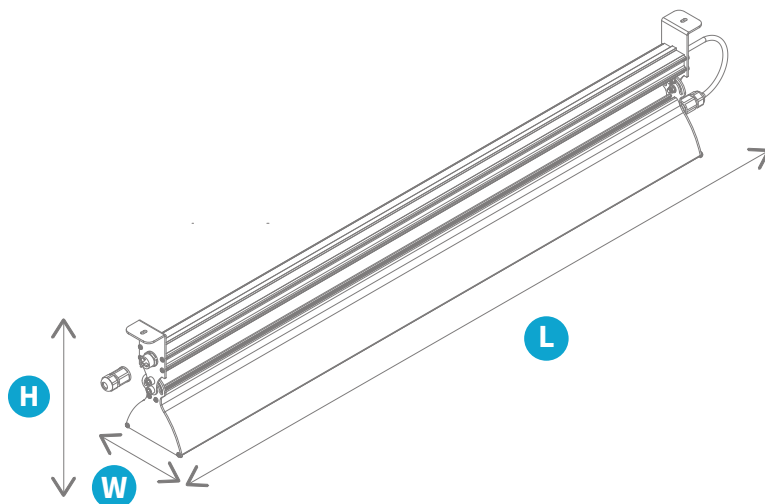
ULT3HT.40.110.8A4000	110	16950	4000K	>80	IP65	60°X60° 90°X90°	7,8kg
ULT3HT.40.110.8A5000	110	17000	5000K	>80	IP65	60°X60° 90°X90°	7,8kg


Ultima LED 3.0 5

ULT3HT.50.145.8A4000	145	21350	4000K	>80	IP65	60°X60° 90°X90°	7,8kg
ULT3HT.50.145.8A5000	145	21400	5000K	>80	IP65	60°X60° 90°X90°	7,8kg

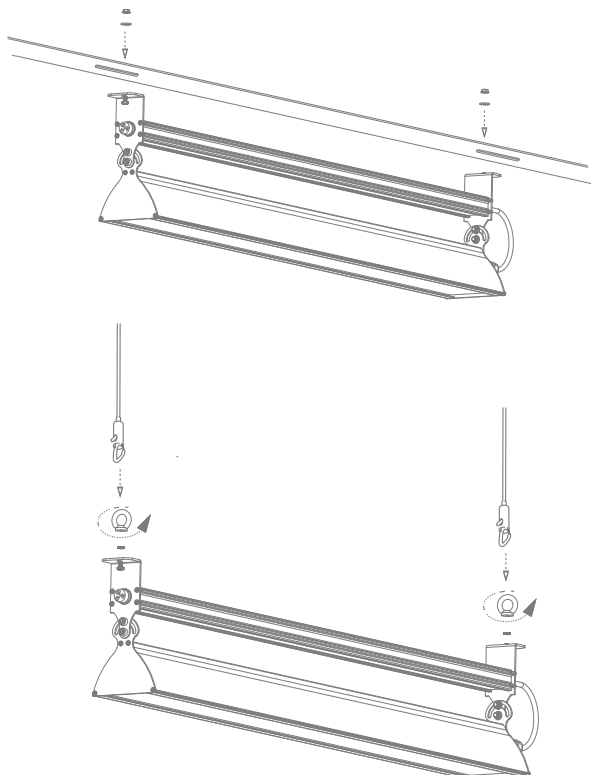
In order to know exact the light parameters for selected beam angle, please use photometric files for the given beam angle. Download link: luxon.pl/Pliki/LDT-LUXON-LED-2020.zip

Dimensions and Logistics




	H	L	W
ULT3HT.1	230	838	126
ULT3HT.2	230	1108	126
ULT3HT.3	230	1108	126
ULT3HT.4	230	1405	126
ULT3HT.5	230	1405	126

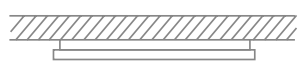
Montage




The left side of the 'Montage' section contains two technical diagrams. The top diagram illustrates surface mounting, showing a light fixture being attached to a surface with screws. The bottom diagram illustrates suspended mounting, showing a light fixture being hung from a ceiling using a hook and a chain.

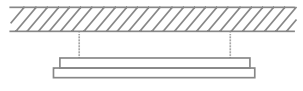



surface mounting





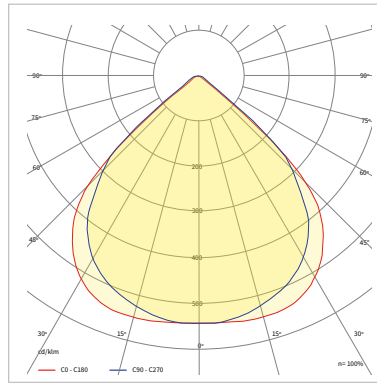
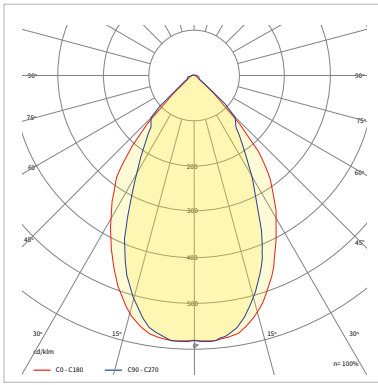
suspended





A close-up photograph of the light fixture's electrical connection point, showing a red wire and a black wire connected to a terminal block.

Light distribution



Available Configurations

Family	Power version	Version	Power [W]	CRI	Diode type	CCT [K]	Lens material	Diffuser material	Beam angle	Type of control	Operating temperature[°C]	Warranty	Modifications
ULT3HT Ultima LED HT 3.0	1	0 Standard	042	8 >80	A Mid Power	4000	2 PC lens	P21 PC diffuser transparent	070055	00 ON/OFF	3565	05Y 5 years	0000 Standard
	1		42W			4000K			70°x55°		-35°C+65°C		
	2		053			5000		G11 Tempered glass transparent	095090	D0 DALI	3570		
	2		53W			5000K			95°x90°		-35°C+70°C		
	3		053			110		110W	145	145W			
	3		53W										
4	083	83W											
4	110	110W											
5	145	145W											

Example product code:

[ULT3HT.20.053.8A5000.2P21.070055.D0.3570.05Y.0000](#)